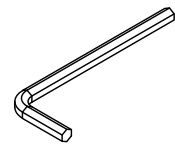
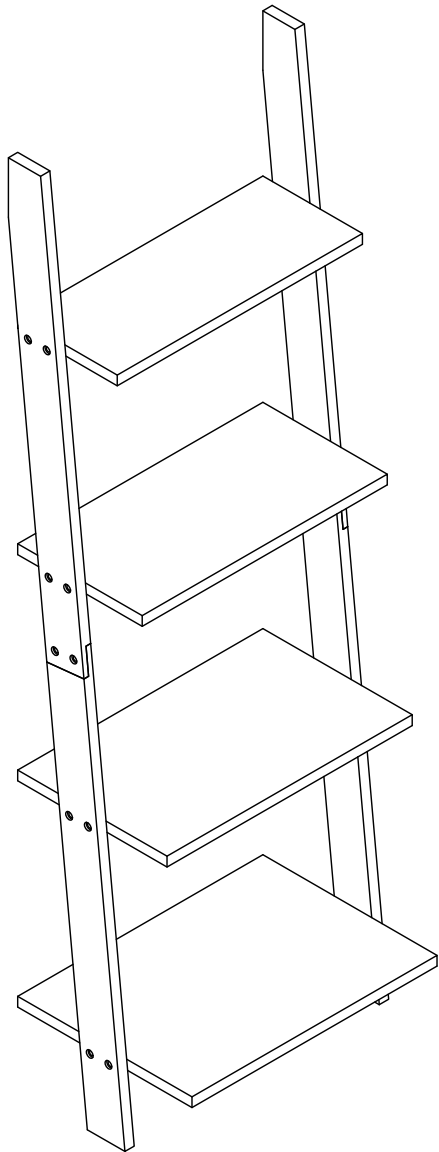


GAPA typ 2



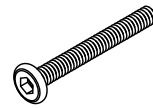
Ax1



Bx4



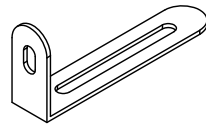
Cx4



Dx16



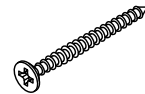
Ex16



Fx1



Gx1

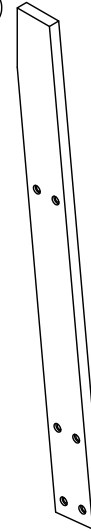


Hx1

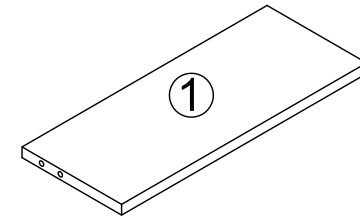


Ix1

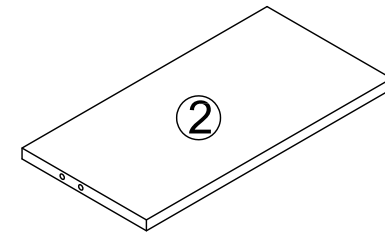
5



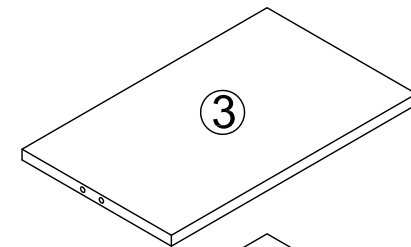
6



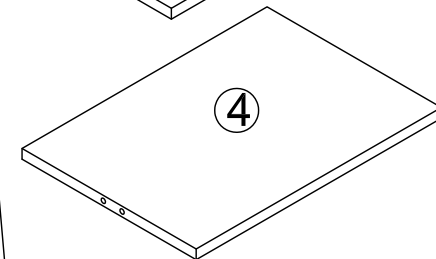
1



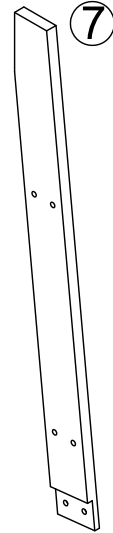
2



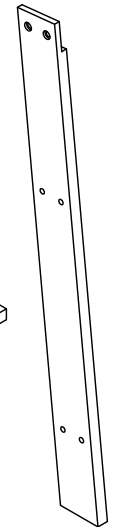
3



4

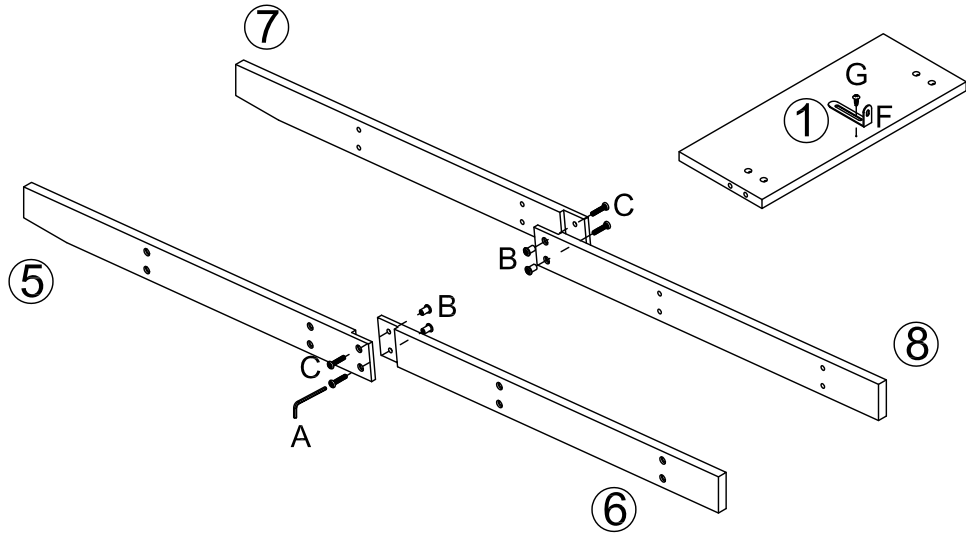


7

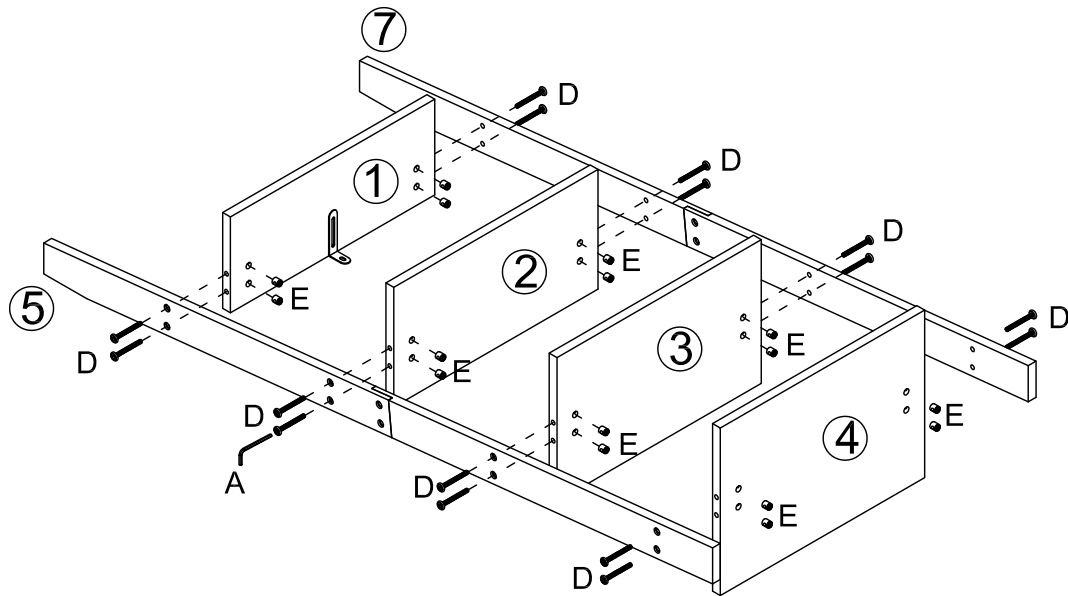


8

1



2



3

